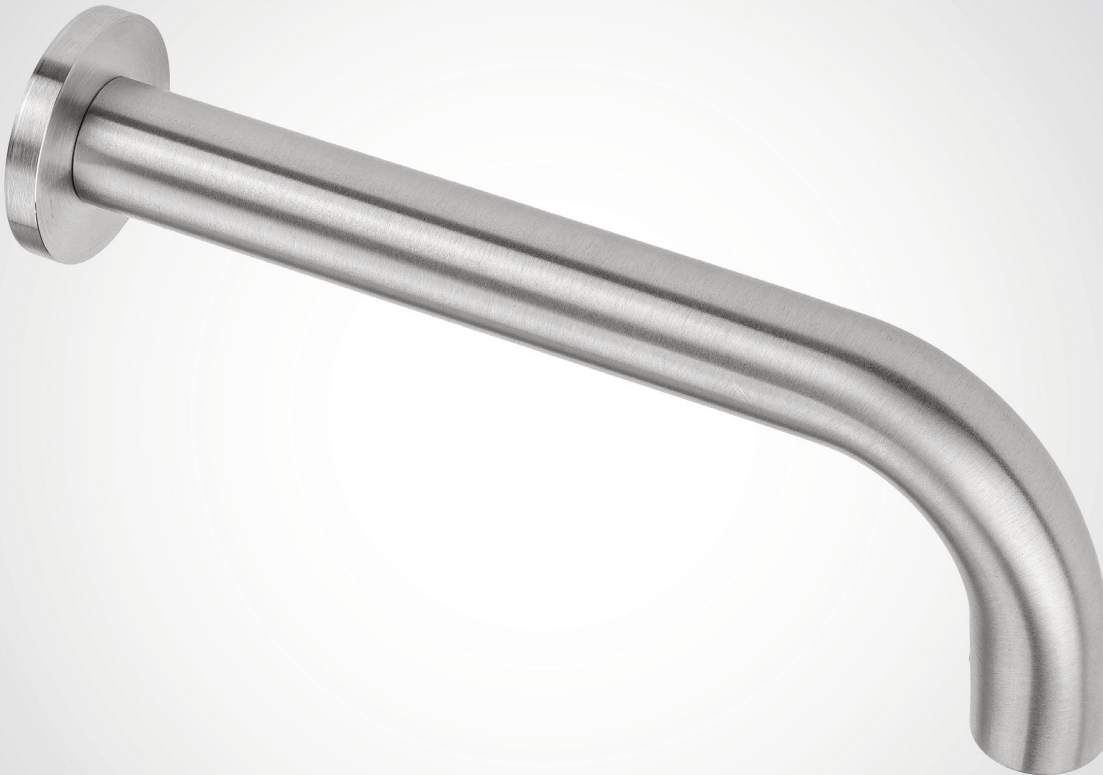


DS111

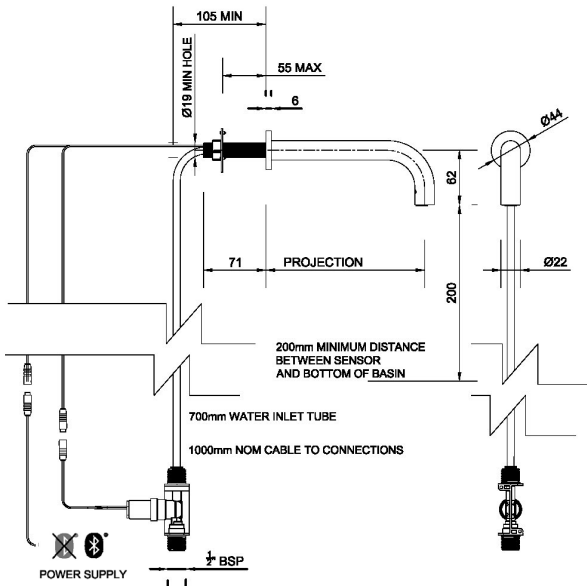
DOLPHIN THRU PANEL MOUNTED INFORM TAP

INSTALLATION AND MAINTENANCE GUIDE



Please read carefully before use June 2020

DS111



TECHNICAL DATA

Dolphin Thru Panel Mounted InForm (SMART) Tap

Manufactured from high-quality, highly durable 1.4401 (316) Marine grade stainless steel.

Self-Monitoring Analysis and Recording Technology (SMART) allows the facilities Manager to connect point to point via the Dolphin SMART App when used with the optional Bluetooth Adaptor (Sold separately -Order product code 25148)

Infra-Red Touch Free Tap for ultimate hygiene prevents cross contamination sensor mounted in end of spout

Designed to be mounted thru an IPS panel.

Flow rate – 3.0 litres/minute with the standard fitted flow regulator (fitted adjacent to solenoid) at any pressure between 0.5 and 6.0 bar

1.0 - 4.0 litres/minute flow rates available to special order – please enquire

Water Supply: Single inlet cold or pre-mixed a TMV2 or TMV3 thermostatic mixing valve is recommended for premixed applications

Maximum operating water temperature - 60°C

Power Supply: *

Nominal Current: Less than 1mA (Less than 25mA with Bluetooth)

Nominal Power: Less than 1W

Security Time can be adjusted via the App Default 20 Seconds (60 Seconds max)

IP68 Connector

See page 4 for power supply and other options

PRODUCT CODES

- > DS111.150.1 Dolphin Brushed Satin Stainless Steel Thru Panel Mounted InForm Tap 150mm projection
- > DS111.275.1 Dolphin Brushed Satin Stainless Steel Thru Panel Mounted InForm Tap 175mm projection
- > DS111.200.1 Dolphin Brushed Satin Stainless Steel Thru Panel Mounted InForm Tap 200mm projection
- > DS111.225.1 Dolphin Brushed Satin Stainless Steel Thru Panel Mounted InForm Tap 225mm projection

Coding Explained

Style

DS111 90° Bent Spout

DS11X.XXX.X

Projection

100/125/150/175/200/225/250/275mm

DS11X.XXX.X

Finish

- 1 Brushed Satin
 - 2 Mirror Polished
 - 3 PVD Brushed
 - 4 PVD Mirror
 - 5 Powder Coated
- DS10X.XXX.0

Colour

Suffix to end of code


(Number allocated by Dolphin Solutions)

Example Coding DS111.100.1

90° Bent Spout

100mm Projection

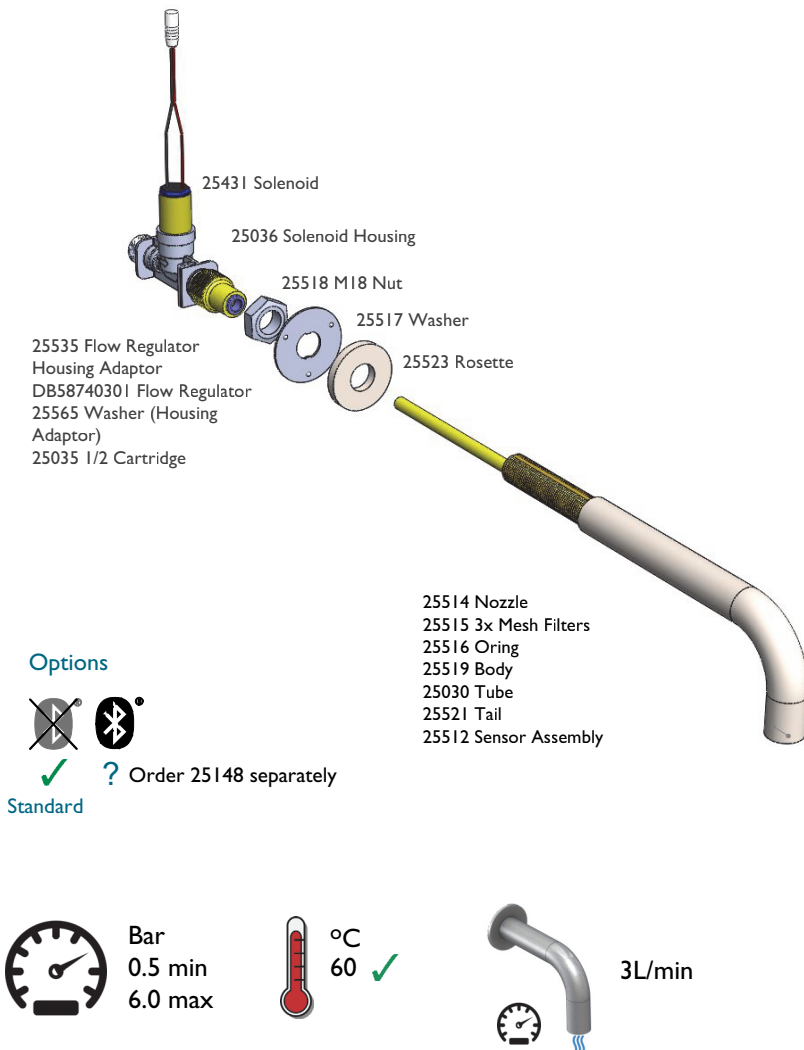
Brushed Satin Finish Options

Bluetooth 

PVD

Powder Coating

PACK CONTENTS



PRE INSTALLATION

› Please check that all the components in the list above are present and that they are in good condition before installation. If any components are missing contact Dolphin Solutions.

› It is very important to allow permanent access to the mounting tail/nut of this product for future servicing and repair. Where this is not possible see our wall plate mounted products.

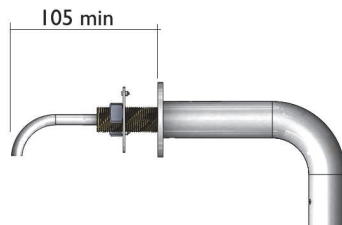
⚠ WARNING

› Highly reflective surfaces directly beneath the sensor of this product, in particular polished finish basin wastes/strainers, will cause false activation of the infrared sensors and can result in malfunction. We recommend Satin or Matt finish products which can be found on our website.

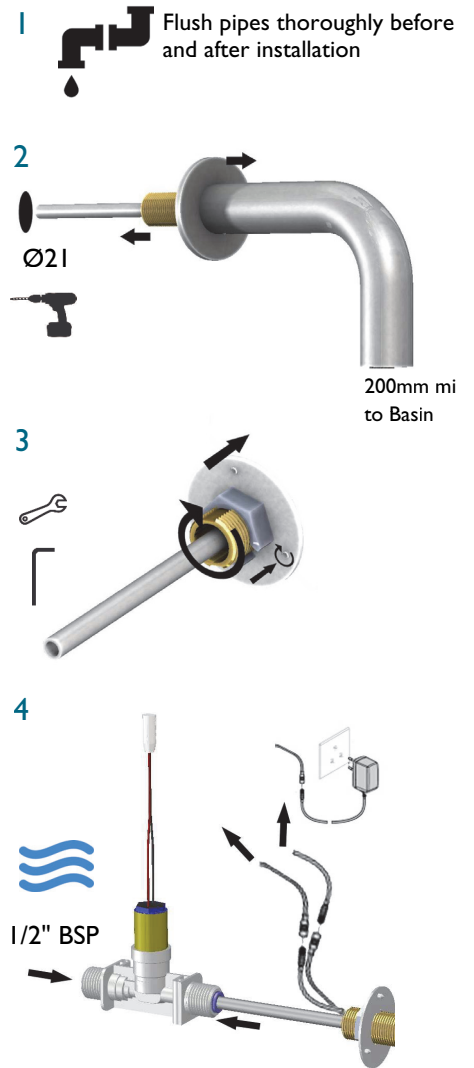
› Sitting water may also cause the tap to activate

› All Plumbing and Electrical installation must be carried out by a qualified person and in accordance with applicable codes and regulations.

› Do not kink the water supply hose.



INSTALLATION



5 › Switch on power supply

› The sensor is self adjusting.*

*Further adjustments can be made by purchasing the Bluetooth Adaptor and downloading the App

6 › Open hot and cold water supply and check that connections are watertight.

MAINTENANCE

DO NOT use steel wool or cleansing agents containing alcohol, acid, abrasives or the like. Use of any prohibited cleaning or maintenance products or substances could damage the surface of the tap. For surface cleaning of tap use **ONLY** soap and water then wipe dry with a clean soft cloth. Protect taps from splattering of harsh cleansers when cleaning surroundings.

OPTIONS

POWER SUPPLY OPTIONS

UK MAINS ADPATOR PRODUCT CODE 25147

Other Adaptor pin and power supply configurations available, see below for part numbers):

Input voltage: 100 – 240V AC +/- 10%, 50 - 60 Hz

Output voltage: 6.75V DC + 0.15V/ -0.35 V

Secondary current: 0 - 350 mA DC

Buffer capacitors: The adaptor secondary contains 3 buffer capacitors (necessary to close the solenoid valve in case of power outage):

2 x 2200 µF,

1 x 100µF

Certifications: EN 60335-1, EN 60950-1

1m Cable

HARDWIRE TRANSFORMER PRODUCT CODE 25240

Input voltage: 100 – 240V ± 10% 50-60 Hz ± 3 Hz

Output voltage: 6.6V DC ± 5%

Secondary current: 200 mA DC

Buffer capacitors: one buffer capacitor 4700 µF (necessary to close the solenoid valve in case of power outage)

Certifications: EN 60335-1, EN 61558-2

1m Cable (Transformer to Tap), 2m Cable (Transformer to Mains)

BATTERY PACK PRODUCT CODE 25241

Requires a 6V lithium battery (CR-P2, approx. 1.500mAh) which has a lifetime of 200.000 switching cycles or 3-5 years depending on user frequency.

100mm Cable (Approx)

Important note - the battery unit can't be used in combination with the Bluetooth adaptor.

The battery unit contains the CR-P2 battery as delivery content.

The housing enables a fixation on wall by using the mounting clips part of the housing but screws are not included) or the rear affixed /elcro tape

Power Supply Options:

!5147 UK Mains Adaptor

!5428 EURO Mains Adaptor

!5240 Hardwire Transformer

!5241 Battery Pack

BLUETOOTH ADAPTOR PRODUCT CODE 25148



Bluetooth® version 4.0.

The **current version** of the app required for using the system **must** be installed on the control unit in advance. The App is available for free in the iTunes Store (requires an Apple account) and the Google Play store (requires a Google account).

For operation under adverse environments, in buildings / rooms with reinforced concrete walls, steel and iron frame, or near of obstructions (eg furniture) of metal, the Bluetooth reception can be disturbed and interrupted.

Bluetooth®:

Power consumption:	Less than 25mA
Output:	Bluetooth® - Class 2
Bluetooth® - version:	4.0
Bluetooth® - Transmission distance: (depending on the environments)	about 10m
Automatic safety shut-off:(10/20/60 seconds - adjustable)	20 s
Run-on time (0 - 10 s adjustable):	1 s
Detection Range - Levels 1 to 10 (10 = 120mm approx)	10

Dolphin Solutions

Southpoint, Compass Park, Bodiam, Robertsbridge TN32 5BS

Tel: 01424 202224

Fax: 01424 205200

www.dolphinsolutions.co.uk

info@dolphinsolutions.co.uk

