

Maximum wall thickness 50mm  
Recommended hole size Ø19mm

06.1010

## DOLPHIN TAPERED BODY WALL MOUNTED SOAP DISPENSER

- > Wall mounted, polished chrome soap dispenser with tapered body for multi-feed soap system.
- > Usage: High Traffic Areas
- > Polished Chrome finish

DIAMETER	30 MM
PROJECTION	110 MM

### SPECIFICATION

Wall/Bulkhead mounted liquid soap dispenser in polished chrome

### MATERIAL

- > Body: polished chrome plated brass
- > Spout and plunger: polished chrome plated brass
- > Fixing stem: Black plastic with 3/8" bsp thread
- > Flanged back nut: Brass

## OPERATION

- › Press plunger head towards dispenser body to dispense liquid soap into palm of hand. Each stroke delivers approximately 1ml of liquid soap per activation. Recommended for high traffic use areas. Use with 5.0L multi-feed system (See products 06.9631, 06.9632, 06.9633, 06.9634) or 1.0L remote bottle 06.9611.

### Liquid Soap

- › We recommend using Dolphin solutions ltd 'Pearlised' liquid soap (Product code 06.8305). We do not recommend using high viscosity liquid soaps or gels, which may impair function. Warning: Liquid soap with high sodium chloride content can cause corrosion and may invalidate the product warranty.

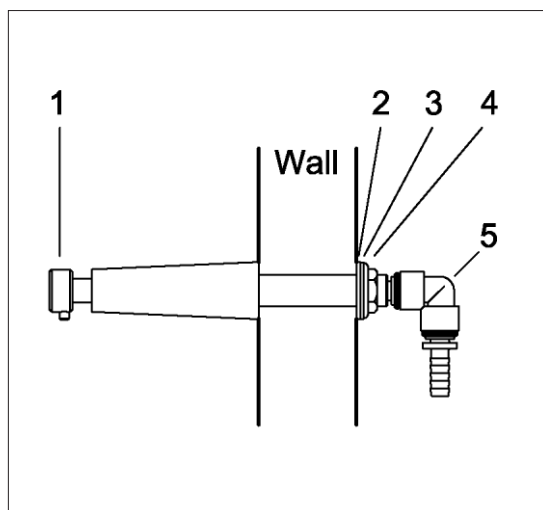
## INSTALLATION KIT

See diagram opposite

- › Prepare a Ø19mm mounting hole through wall
- › Detach the push fit elbow (5)
- › Unscrew the locking nut (4) and remove it and the washers from the soap dispenser assembly
- › Pass fixing stem of soap dispenser (1) through the mounting hole
- › Re-fit neoprene washer (2), stainless steel washer (3) and locking nut and tighten locking nut
- › Re-fit push fit elbow
- › Connect multi-feed tube to tube adaptor
- › Prime the soap dispenser by pumping the plunger head until liquid soap is dispensed from the nozzle

## CARE AND MAINTENANCE

- › If the soap dispenser fails to function correctly, firstly check all connections are tight and free from air leaks. If dispenser still fails to function, place manifold into a bottle of warm water. Pump the warm water through the dispenser to dislodge any dried soap residue and then refit manifold into soap bottle.
- › Water marks and soap residue on polished chrome surfaces are best cleaned using warm water and a mild detergent. Use a stainless steel cleaner for brushed stainless steel soap dispensers. Never use an abrasive cloth to remove stubborn stains. Dry with a soft clean cloth.



## WARRANTY

This product is covered by a 12-month warranty from the date of purchase to be free from defects if installed and maintained in accordance with these instructions. Dolphin Solutions will replace or repair (as appropriate) free of charge any product with a proven manufacturing defect if reported within the warranty period.

Dolphin Solutions Ltd reserves the right to amend the design or dimensions without formal notice.