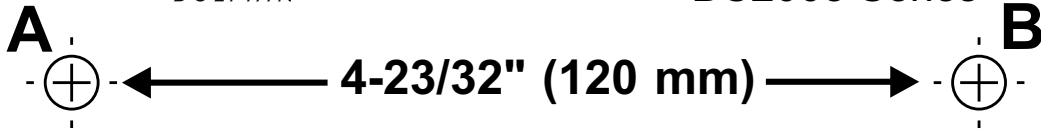




BC2008 Series



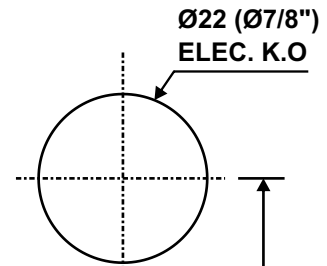
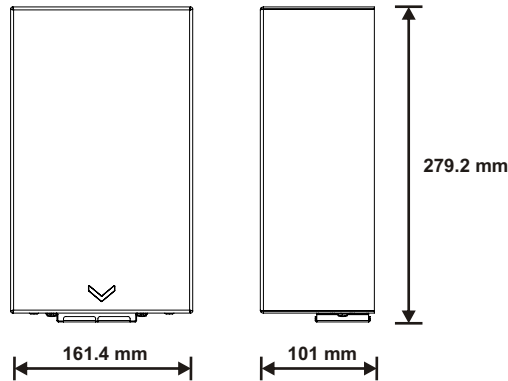
# DRYER MOUNTING TEMPLATE

**Fix this card on the wall.**

Drill 4 holes  
(A. B. C. D. 8 mm diameter: 35 mm depth.)

'Unit should be mounted to give no less than 300mm clearance from the bottom of the unit to the nearest surface below'

8-27/64" (214 mm)



4-13/64" (122 mm)

## CONNECT DESCRIPTION

1. Secure the base plate on the wall provided.
2. The conduit in place by suitable 1/2 inch trade conduit fitting.
3. Connections:
  - A. Connect the live wire (colored red or black or brown) to the terminal block marked "L".
  - B. Connect the neutral wire (colored white or blue) to the terminal block marked "N".
  - C. Connect the ground wire (colored green or green and yellow) to the terminal block marked "⊕".

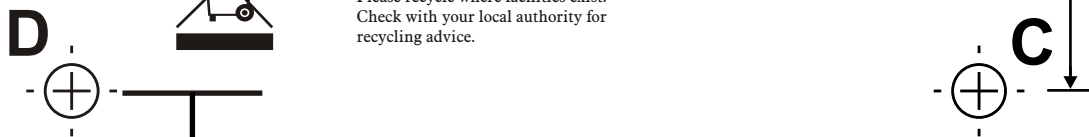
### Important Information

This Product falls within the scope of the Waste Electrical & Electronic Equipment Directive 2002/96 EC. (WEEE)



**NOTE:** This Product should not be disposed of with household waste. Please recycle where facilities exist. Check with your local authority for recycling advice.

17/64" (6.5 mm)



39" (100 cm) from the ground is suitable

**THIS UNIT MUST BE FITTED AND SERVICED BY SUITABLY QUALIFIED PERSONNEL**