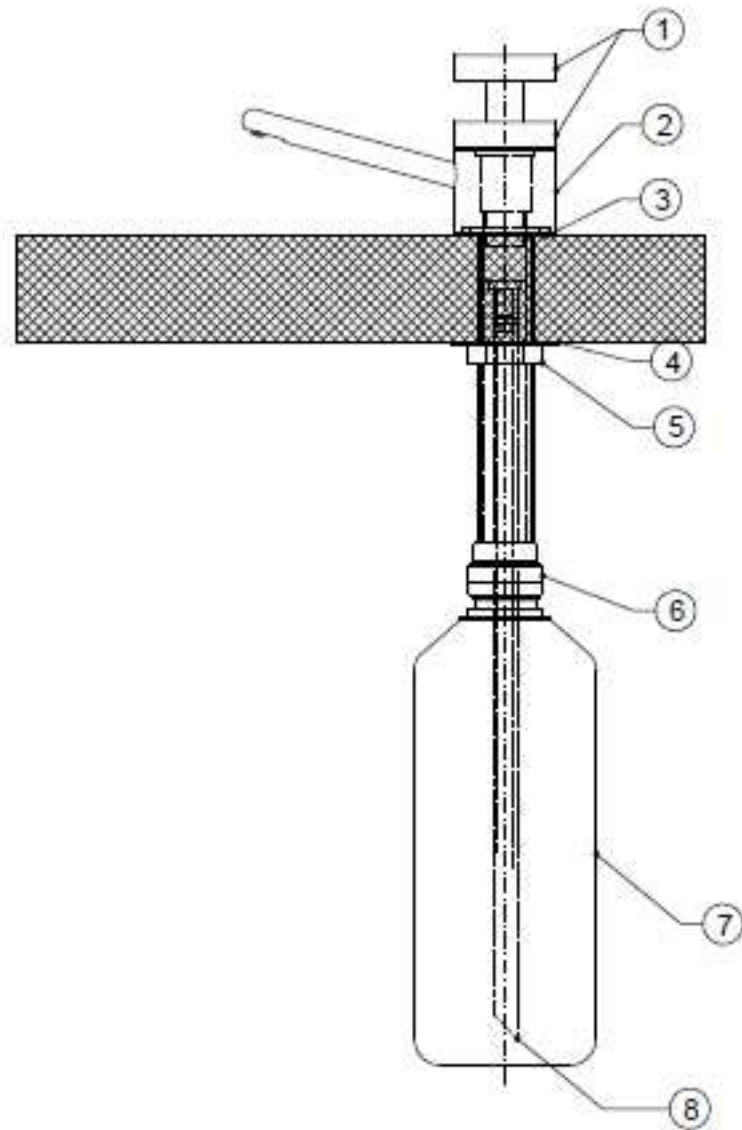
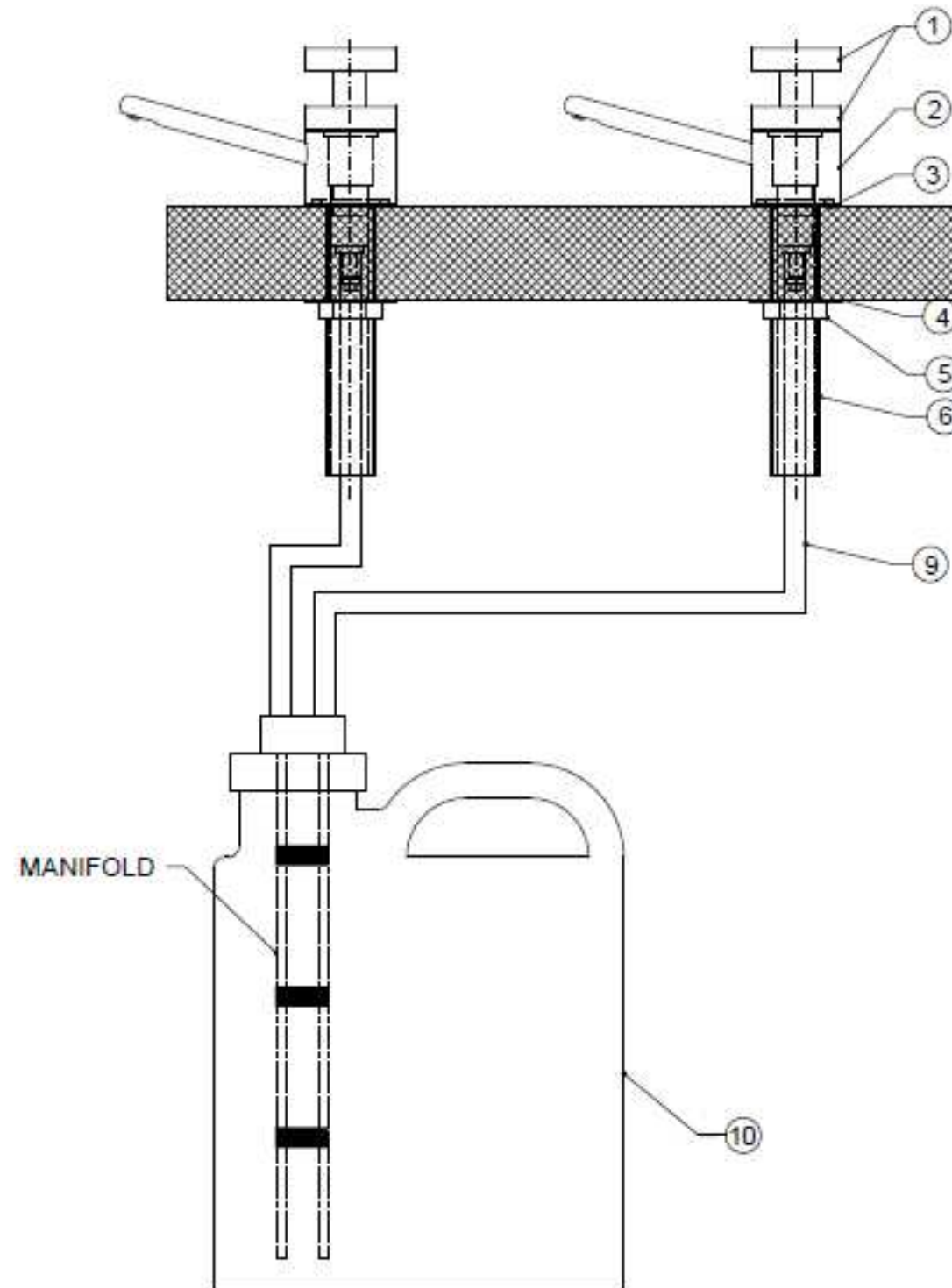


INSTRUCTIONS FOR CONVERTING 'DP' CODE COUNTER MOUNTED SOAP DISPENSERS TO MULTI-FEED

INDIVIDUAL BOTTLE USE



CONVERTED TO MULTI-FEED USE



KEY

- ① PLUNGER + COLLAR
- ② DISPENSER BODY
- ③ O - RING
- ④ WASHER
- ⑤ FIXING NUT
- ⑥ THREAD ADAPTOR
- ⑦ BOTTLE (250ml/500ml/1000ml)
- ⑧ INDIVIDUAL PIPE
- ⑨ MULTI-FEED PIPE
- ⑩ 5 LITRE JERRY CAN

HOW TO CONVERT

UNSCREW PLUNGER AND COLLAR (1) AND REMOVE FROM THE BODY (2).

PULL THE SHORT PIPE (8) OFF THE BARB CONNECTOR AND REPLACE WITH THE LONG MULTI-FEED PIPE (9) WHICH SHOULD BE PUSHED THROUGH THE DISPENSER BODY FROM THE UNDERSIDE OF THE COUNTER.

SCREW THE PLUNGER AND COLLAR BACK ONTO THE BODY AND TIGHTEN BY HAND.